

# WASTE WATER PUMPS

SVX, SDW & SSEG Series



Sep 2025/RL  
VC :  
SAP No. 2000018920  
Sep /2025-26/L17/



India : Toll Free No. 1800 103 5555

Other Countries : +91-7292 410500

## SHAKTI PUMPS (INDIA) LIMITED

CIN : L29120MP1995PLC009327 | Web: [www.shaktipumps.com](http://www.shaktipumps.com) | E-mail: [info@shaktipumps.com](mailto:info@shaktipumps.com), [sales@shaktipumps.com](mailto:sales@shaktipumps.com)  
Corporate Office : Plot No. C-04, Silver Spring, Phase-2, Business Park, By-Pass Road, Opp D Mart, Indore-452020. (M.P.) INDIA. Tel.: +91 731 3635000  
Regd. Office / Factory Add. : Plot No. 401, 402 & 413, Industrial Area, Sector - 3, Pithampur-454774, Dist. Dhar (M.P.) INDIA. Tel.: +91 7292 410500

**SHAKTI**

THE POWER OF INNOVATION, EFFICIENCY & TECHNOLOGY.

CONTENT	PAGE
CONTENT PAGE	
SHAKTI WASTE WATER PUMPS	
Introduction (SVX,SDW & SSEG SERIES).....	1
<b>SVX SERIES</b>	
Introduction.....	2
Performance Range.....	2
Application & Application Data.....	2
Type Key.....	2
Table of Material.....	2
Hydraulic Performance Data -50Hz.....	3
Outline Diagram.....	4
Dimension & Weight -50Hz.....	4
Exploded View of SVX.....	5
Sectional View of SVX.....	6
Parts List of SVX.....	7
<b>SDW SERIES</b>	
Introduction.....	8
Performance Range .....	8
Application & Application Data.....	8
Type Key.....	8
Table of Material.....	8
Hydraulic performance data-50Hz.....	9
Outline Diagram.....	10
Dimension & weight -50Hz.....	10
Section view of SDW 50-10-10-0.75.....	11
Part list of SDW 50-10-10-0.75.....	12
Section view of SDW 1.5 to 5.5 kW.....	13
Part list of SDW 1.5 to 5.5 kW.....	14
Section view of SDW 150-150-10-7.5.....	15
Part list of SDW 150-150-10-7.5.....	16
<b>SSEG SERIES</b>	
Introduction.....	17
Performance Range.....	17
Application & Application Data.....	17
Type Key.....	17
Table of Material.....	17
Hydraulic Performance data-50Hz.....	18
Outline Diagram.....	19
dimension & weight.....	19
Exploded View of SSEG.....	20
Section View of SSEG.....	21
Part list of SSEG.....	22

## TOUGH, RELIABLE PUMPS FOR WASTE WATER AND SEWAGE TRANSFERS

In areas with no sewer systems, or areas where gravitation systems are unsuitable, pressurized systems are the perfect choice for transfer of effluent and domestic sewage to the public sewer or sewage treatment plant. In Order to meet hygiene standards and prevent noxious odours, Shakti pumps offers the perfect pumping solution at minimal investment costs.

### SSEG Series

SSEG series available with unique grinder system at inlet of pump. Ensure optimum performance at all time. A newly design developed mechanical shaft seal together With fully insulated cable connection chamber prevent liquid from penetrating into the motor. High discharge pressure enable transfer of sewage over longer distance.



### KEY BENEFITS

- High Performance and highly efficient
- Improved discharge pressure
- Seal by two Mechanical Seals
- Easy Installation via suspension unit or pump base

### SVX Series

SVX Series is available with Vortex impellers that is virtually impossible to clog. Vortex impeller creates liquid vortex in the volute, which directs all spherical solids, slurry, sludge, grit, and stringy or fibrous material through the pump without clogging.

### SDW Series

SDW Series is available with Non-clogging double vane impeller can pump large solid. It consists of oil-filled motor keeps the windings cool, eliminates moisture, and permanently lubricates the bearings, to provide reliable pumping service.

The dual seal design gives the pump exceptionally long pump service life by keeping pumped media out of the motor housing.

## INTRODUCTION

The pump in the SVX series are constructed in 100% AISI 304 stainless steel body with cast iron delivery casing. They operate entirely immersed in the pumped liquid which serves to cool the motor from the exterior. Design with vortex impeller and automatic version equipped with float switch

### MOTOR

- Dry motor
- Protection Rating IP 68
- Insulation class F
- Single face power supply with permanent activated capacitor and thermal cutout protection incorporated in the motor winding
- Fully insulated cable connection chamber

### PERFORMANCE RANGE

- Flow rate up to 333 l/min (20 m<sup>3</sup>/h)
- Head up to 15 m

### APPLICATIONS

- All application for lifting and draining waste water with suspended solids bodies up to Ø 50 mm.
- Lifting stations with one or more pumps for agriculture and civil complexes .

### APPLICATION DATA

- Type of Liquid : Waste and sewage water with solid bodies
- Maximum liquid temperature : +40 °C
- Maximum immersion depth : 5 m
- Free Transit of solid bodies :  
35 mm, 50 mm  
up to Ø 35 mm for SVX 10-15/35  
up to Ø 50 mm for SVX 10-15/50
- Minimum drainage level :  
290 mm; [SVX 10-15/35]  
320mm [SVX 10-15/50]

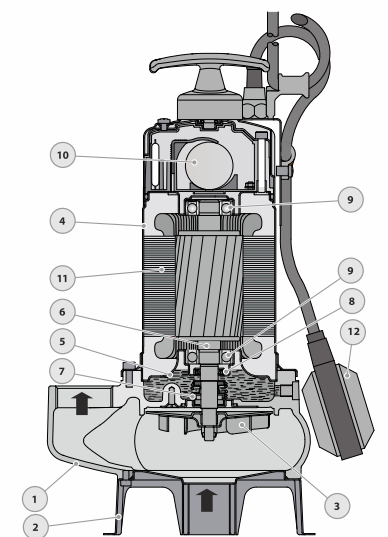


### TYPE KEY



### TABLE OF MATERIAL

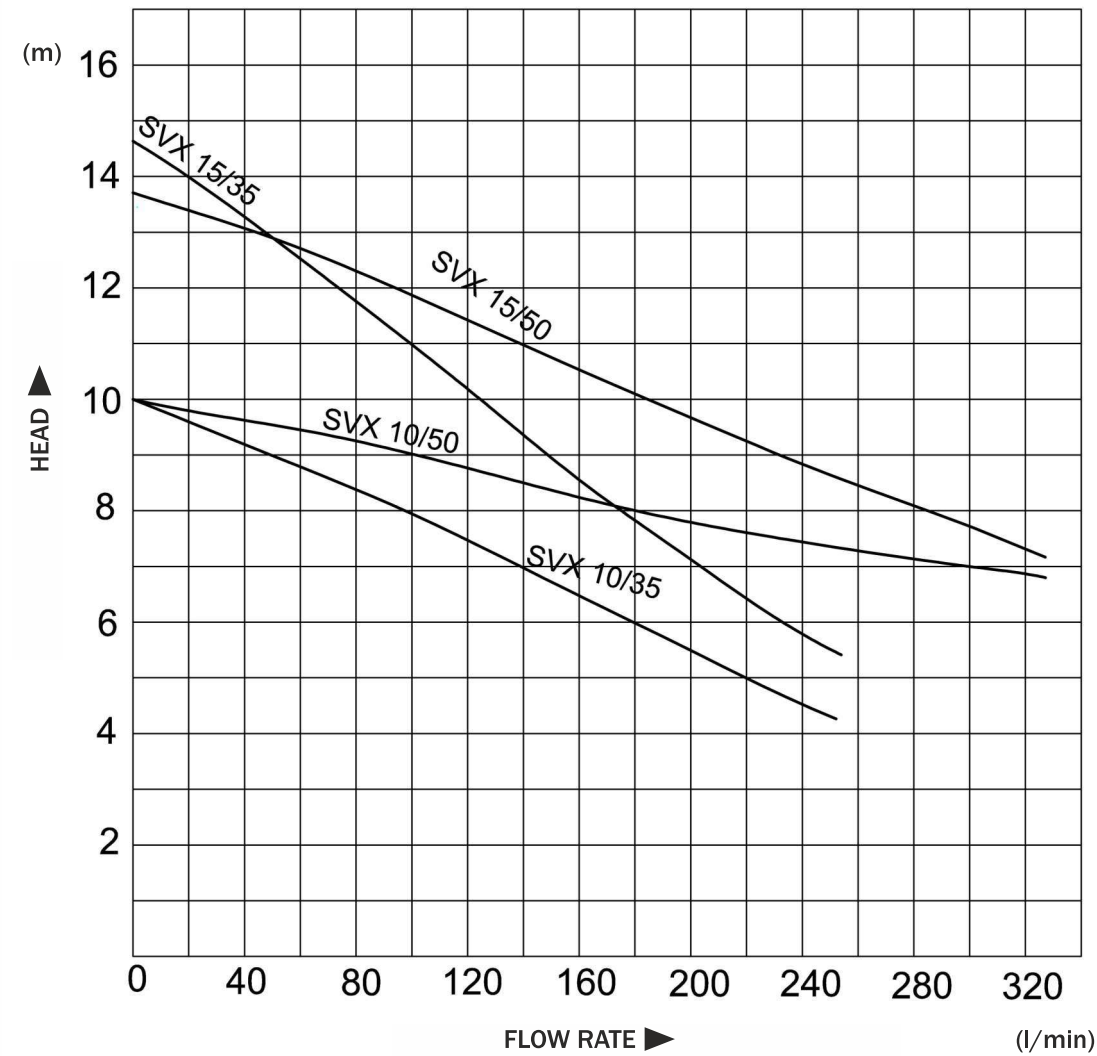
COMPONENT		MATERIAL	
1	Pump Body	Cast Iron, FG 260	
2	Pump Base	Stainless Steel AISI 304	
3	Impeller	Stainless Steel AISI 304	
4	Motor Body	Stainless Steel AISI 304	
5	Lower Bearing Housing	Stainless Steel AISI 304	
6	Motor Shaft	Stainless Steel	
7	Mechanical gasket	Ceramic	Lubricated In Oil Chamber
	Counter Face	Silicon Carbide	
	Secondary Seal	Rubber NBR	
8	Oil Seal	NBR	
9	Bearing	6203 ZZ	
10	Capacitor	25µF 440 VL (1PH Motor)	
11	Motor	-	
12	Float Switch	Only for Single Phase Version	



**WASTE WATER PUMPS**  
SVX SERIES

**HYDRAULIC PERFORMANCE**

50 Hz

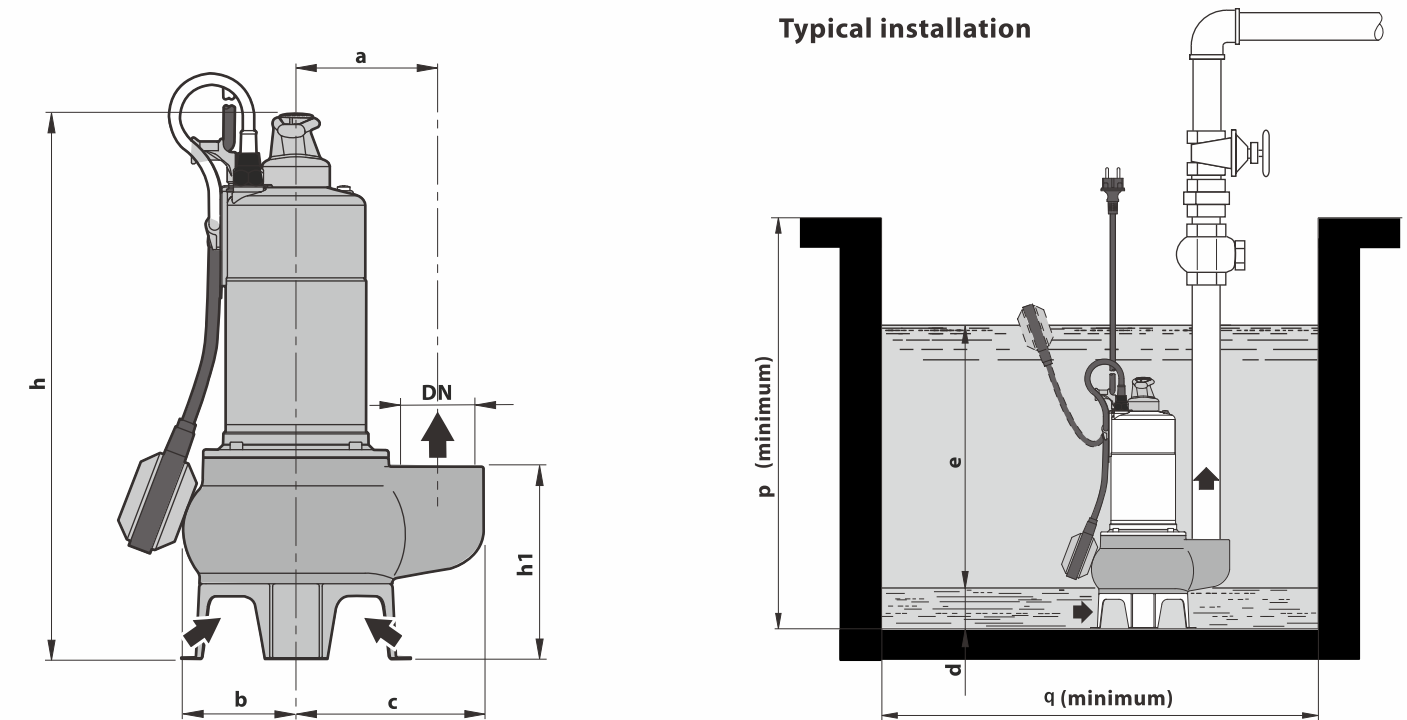


**PERFORMANCE DATA**

MATERIAL CODE	MODEL	POWER		Q	HEAD(m)																			
		kw	HP		m <sup>3</sup> /hr	0	3	6	9	12	15	18	20	l/min	0	50	100	150	200	250	300	333.3		
9000015900 (1 Ø)	SVX 10/35	0.75	1	HEAD(m)	10	9	8	6.5	5.5	4.5														
9000017805(3Ø)					14.5	13	11	9	7.2	5.5														
9000015903(1Ø)	SVX 15/35	1.1	1.5		10	9.5	9	8.5	7.8	7.5	7	6.8												
9000017808(3Ø)					13.5	12.8	11.8	10.8	9.7	8.5	7.8	7.2	6.8											
9000014272(1Ø)	SVX 10/50	0.75	1		10	9.5	9	8.5	7.8	7.5	7	6.8												
9000017807(3Ø)					13.5	12.8	11.8	10.8	9.7	8.5	7.8	7.2	6.8											
9000015904(1Ø)	SVX 15/50	1.1	1.5		10	9.5	9	8.5	7.8	7.5	7	6.8												
9000017809(3Ø)					13.5	12.8	11.8	10.8	9.7	8.5	7.8	7.2	6.8											

**WASTE WATER PUMPS**  
SVX SERIES

**OUTLINE DIAGRAM**



**DIMENSION AND WEIGHT**

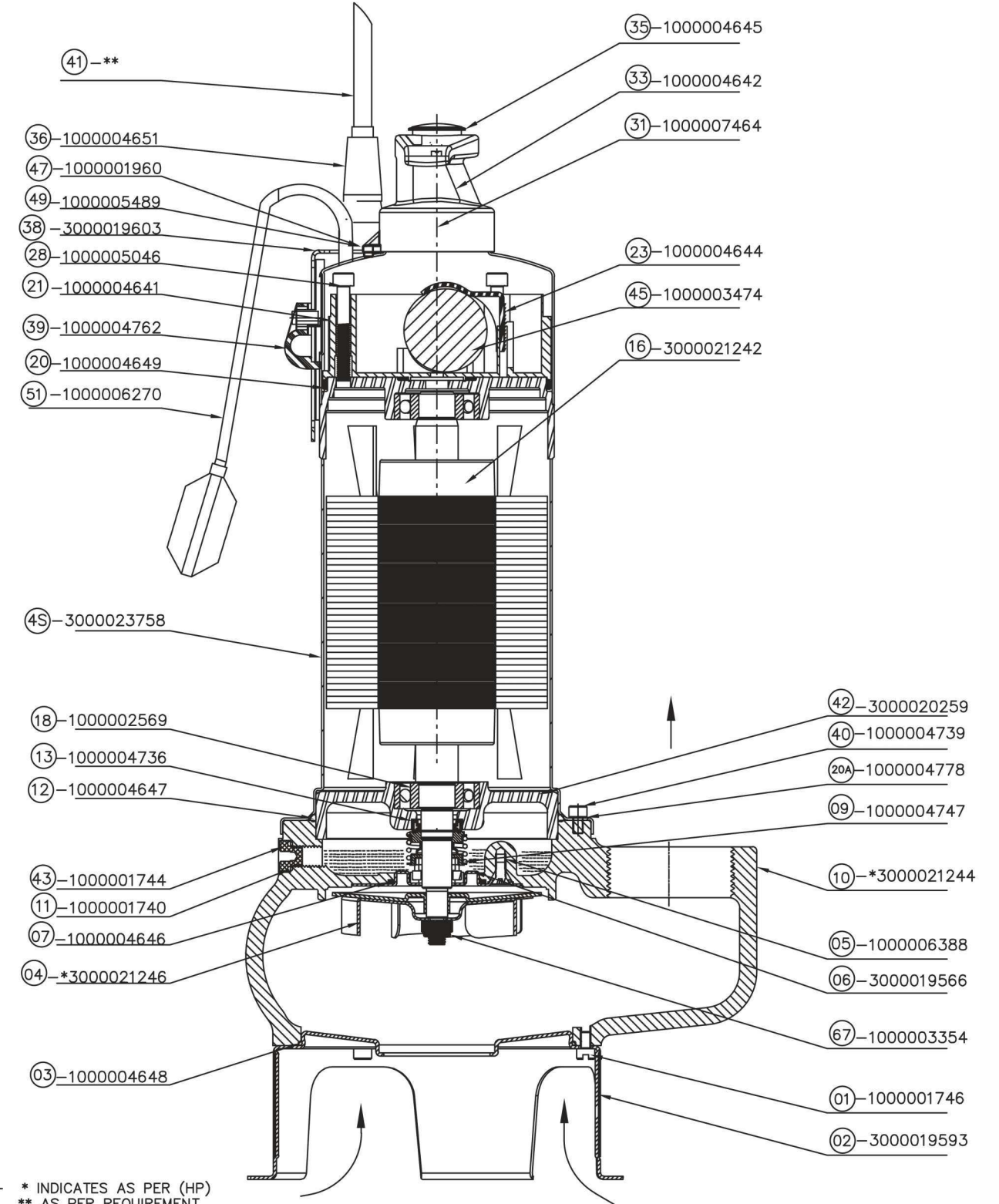
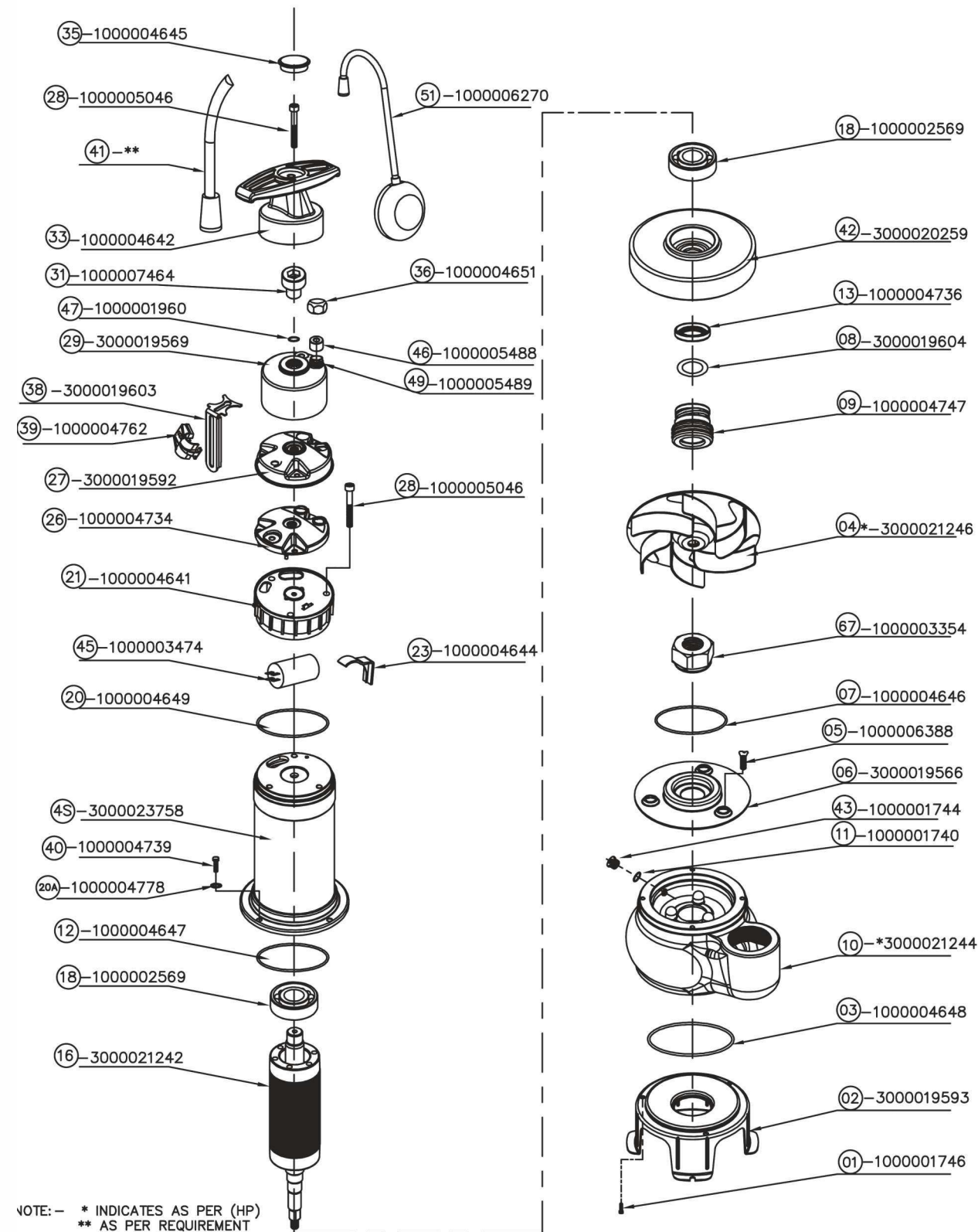
MODEL		PORT DN	SOLIDS PASSAGE	DIMENSIONS (mm)										N.W. KG	
Single-phase	Three-phase			a	b	c	h	h1	d	e	p	q	1Ø	3Ø	
SVX 10/35	SVX 10/35	RP 1½"	Ø 35 mm	105	92	140	470	131	74	variable	500	500	16.6	15.2	
SVX 15/35	SVX 15/35			149		475	136	15.6					15		
SVX 10/50	SVX 10/50	RP 2"	Ø 50 mm	110	97	150	495	156	75	variable	500	500	16.9	16.9	
SVX 15/50	SVX 15/50			157		500	163	76					16.7	16.5	

**WASTE WATER PUMPS  
SVX SERIES**

**WASTE WATER PUMPS  
SVX SERIES**

**EXPLODED VIEW OF SVX**

**SECTIONAL VIEW OF SVX**



NOTE: - \* INDICATES AS PER (HP)  
\*\* AS PER REQUIREMENT

NOTE: - \* INDICATES AS PER (HP)  
\*\* AS PER REQUIREMENT

**WASTE WATER PUMPS**  
SVX SERIES

**PARTS LIST OF SVX**

GROUP	POS	MATERIAL	PART DESCRIPTION	QTY	MATERIAL	
5S- 3000019671	47	100001960	O-RING(ID 8X2.4)	3	NBR	
	11	1000001740	O RING (ID 9x 1.7)	1	NBR	
	28	1000005046	ALLEN BOLT M6X50 HALF THREAD	4	AISI SS 304	
	01	1000001746	PAN HEAD SCREW M4x8	3	AISI SS 304	
	40	1000004739	ALLEN BOLT M6X10	4	AISI SS 304	
	20A	1000004778	SPRING WASHER M6	4	AISI SS 304	
	67	1000003354	NYLOCK NUT M8	1	AISI SS 304	
	05	1000006388	CSK SCREW M5x10	3	AISI SS 304	
	08	3000019604	WASHER FOR MECH SEAL	1	AISI SS 304	
	09	1000004747	SHAFT SEAL	1	SIC/CERAMIC	
	12	1000004647	O RING (O112x3.5)	1	NBR	
	20	1000004649	O RING (O100x3.5)	1	NBR	
		43	1000001744	DRAIN PLUG M10x1.5P	1	LTB-2
07		1000004646	O RING (O40x3)	1	NBR	
31		1000007464	ALLEN BOLT M10X10	1	AISI SS 304	
13		1000004736	OIL SEAL 16x24x5	1	NBR	
		02	3000019593	PUMP BASE SVX	1	AISI SS 304
		06	3000019566	SEAL MOUNTING PLATE	1	AISI SS 304
		03	1000004648	O RING (O127 x TH 1.8)	1	NBR
		10	*1000002584	PUMP HOUSING	1	CI FG 260
		04	*3000021246	IMPELLER ASSLY	1	AISI SS 304
		26	1000004734	TOP COVER	1	PP
		42	3000020259	BEARING HOUSING LOWER	1	AISI SS 304
		18	1000002569	BALL BEARING 6203 2ZZ	2	-
		16	3000021242	ROTOR SUB ASSY	1	-
		3000023758	STATOR SUB ASLY SVX	1	-	
4s	41	**	CABLE	10 m	-	
	36	1000004651	NUT FOR CABLE	2	AISI SS 304	
	49	1000005489	CABLE SLEEVE SVX	2	AISI SS 304	
	46	1000005488	GROMATE	2	NBR	
	21	1000004641	CAPACITOR HOLDING CUP	1	PP	
	26	1000004734	TOP COVER SVX PBT	1	PP	
	27	3000019592	TOP COVER SVX SS	1	AISI SS 304	
	29	3000019569	MOTOR UPPER BODY SVX	1	AISI SS 304	
	45	1000003474	CAPACITOR 25 $\mu$ F	1	-	
	23	1000004644	CAPACITOR PLUG	1	PP	
	51	1000006270	FLOAT SWITCH	1	-	
		38	3000019603	FLOAT SWITCH MOUNTING BRACKET	1	AISI SS 304
39		1000004762	HOOK SVX	1	PP	
33		1000004642	HANDLE FOR PUMP SVX	1	PP	
35		1000004645	CAP FOR HANDLE SVX	1	PP	

**WASTE WATER PUMPS**  
SDW SERIES

**INTRODUCTION**

SDW series submersible sewage pump is mainly used for municipal works, industrial buildings, hotels, hospitals, civil air defense, mines etc. Trades to drain off the sewage, waste water, rainwater and living water in cities containing Solid grains and various long fabrics.

**APPLICATION DATA**

- Type of Liquid : Waste and sewage water with solid bodies
- Maximum liquid temperature : +40 °C
- Maximum immersion depth : 5 m
- Free Transit of solid bodies : upto 45mm;
- pH value limit : 7-9

**MOTOR**

- Protection Rating IP 68
- Insulation class F
- Fully insulated cable connection chamber
- Rotation Speed 2850 RPM (In 7.5 kW-1450 RPM)

**PERFORMANCE RANGE**

Flow rate upto 2716.6 L/min. (163 M3/h)  
Head upto 31m

**TABLE OF MATERIAL**

Sn. No.	Component	Material
1	Base	CAST IRON
2	Impeller	CAST IRON
3	Pump Body	CAST IRON
4	Skeleton Seal	NBR
5	Mechanical Seal	—
6	Oil Cylinder	CAST IRON
7	Bearing	—
8	Motor Housing	CAST IRON
9	Bearing	—
10	Up Bearing Pedestal	CAST IRON
11	Top Cap	CAST IRON
12	Gas Testing Hole	—
13	Handle/Ring	CAST IRON/STAINLESS STEEL
14	Cable	—
15	Connection Box	—
16	O-Ring	NBR
17	Rotor	—
18	Stator	—
19	O-Ring	NBR
20	Oil Room	—
21	Oil Hole	—
22	O-Ring	NBR
23	Elbow Outlet	CAST IRON
24	O-Ring	NBR

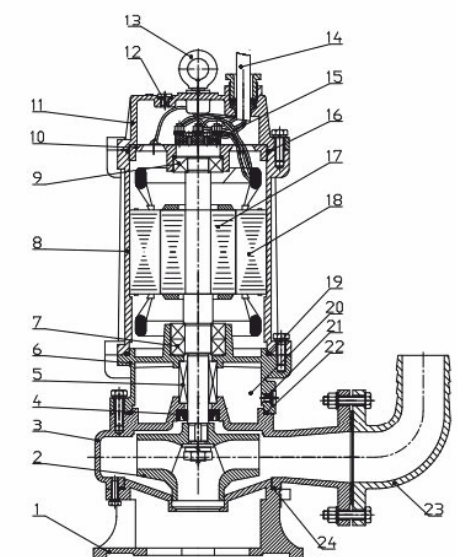
**APPLICATIONS**

- Waste water drainage in factories, Construction Sites and Commercial Facilities
- Drainage system in municipal sewage treatment plant
- Industrial Sewage and Effluent treatment Plants
- Municipal Projects
- Residential and building projects

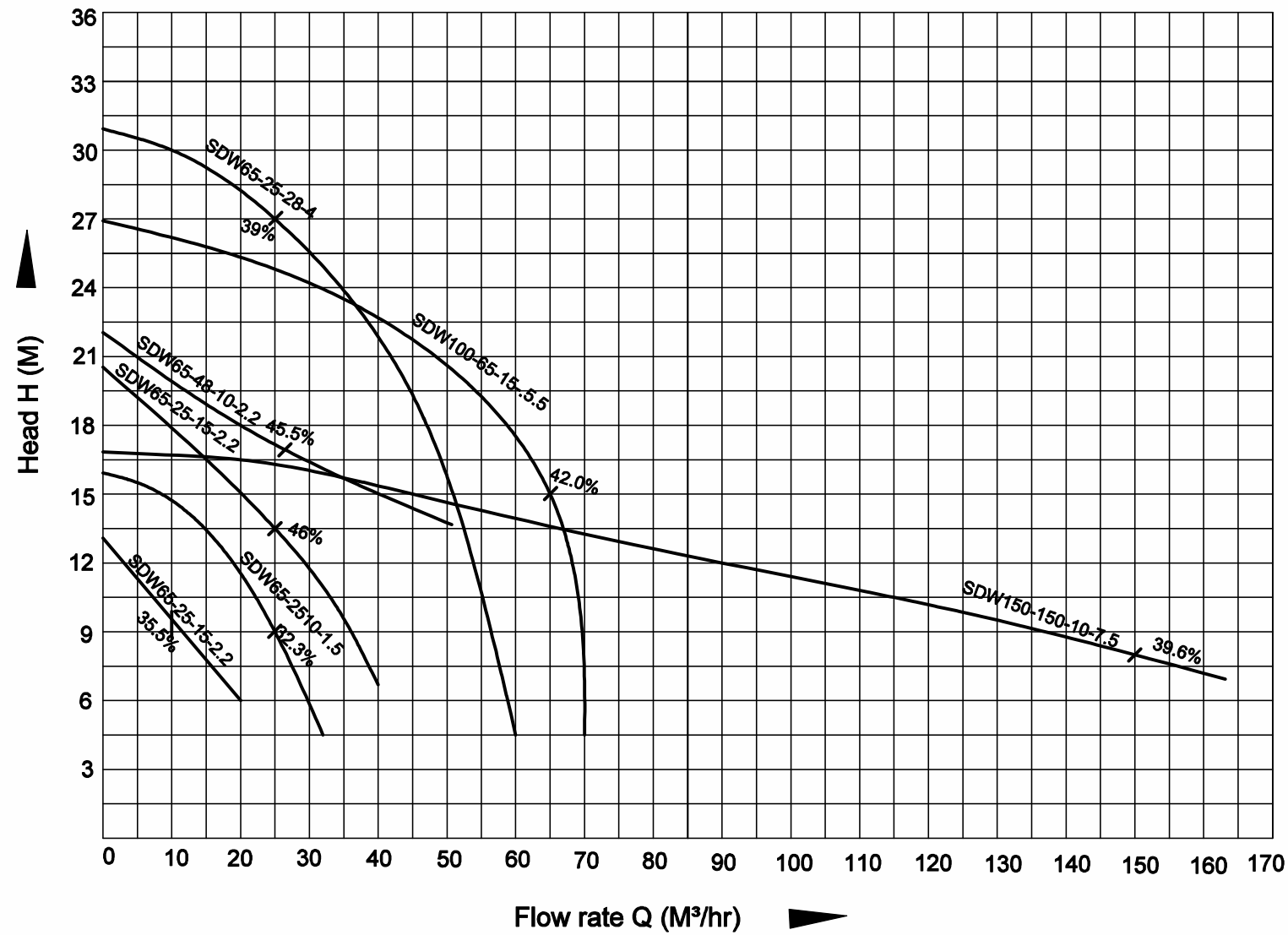
**FEATURES**

- High efficiency motor: Specially designed submersible motor with IP68 Protection and F Class Insulation
- Anti-Rust Corrosive motor housing
- Non -clogging, minimized abrasive wear
- Superior back to back double mechanical seal

**TYPE KEY**



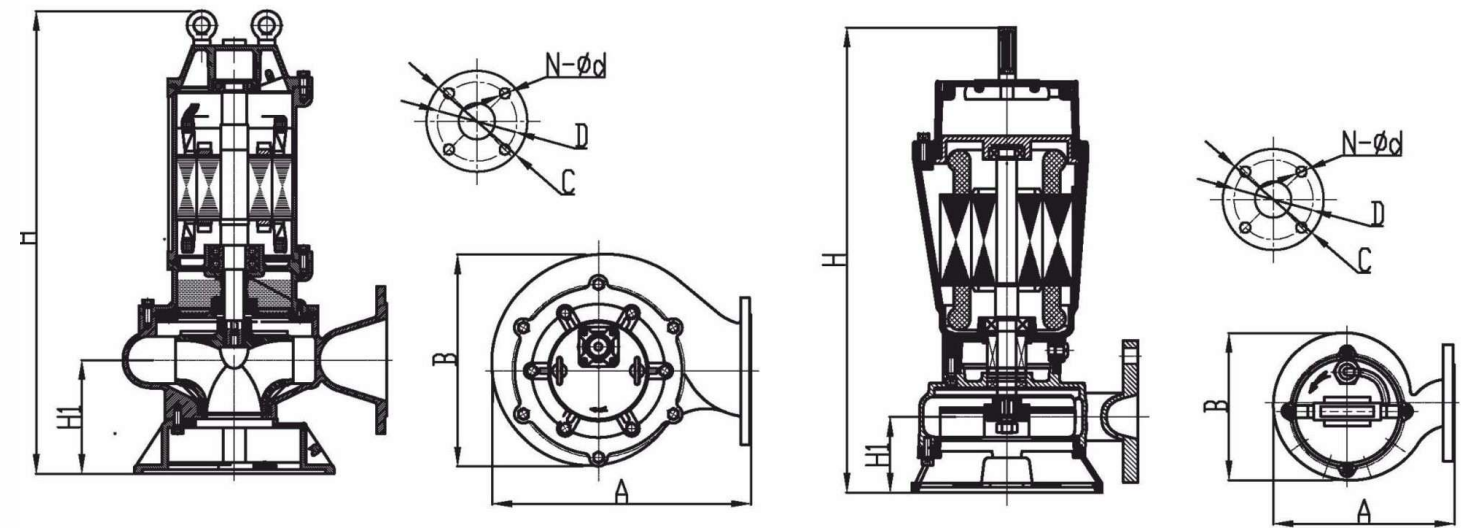
**HYDRAULIC PERFORMANCE**



**PERFORMANCE DATA**

MATERIAL CODE	MODEL	POWER		Q	HEAD(m)															
		kw	HP		m3/hr	10	20	30	40	50	60	70	80	90	100	110	120	130	140	150
9000029344(30)	SDW 50-10-10-0.75	0.75	1	l/min	166.6	333.3	500	666.7	833.3	1000	1166.7	1333.3	1500	1666.7	1833.3	2000	2166.66	2333.3	2500	2666.7
9000028494(30)	SDW 65-25-10-1.5	1.5	2		9.5	6														
9000027803(30)	SDW 65-25-15-2.2	2.2	3		14.7	11	6.2													
9000030113(30)	SDW 65-48-10-2.2	2.2	3		17.8	15	11.8	6.5												
9000029614(30)	SDW 65-25-28-4.0	4	5.5		22	18	16	15	13											
9000030016(30)	SDW 100-65-15-5.5	5.5	7.5		31	28	25.5	22	15.2	4.7										
9000029877(30)	SDW 150-150-10-7.5	7.5	10		26	25	24.2	23	21	17.5	5									
					16.7	16.5	16	15.2	14.8	14	13	12.5	12	11.5	10.7	10.2	9.5	8.7	8	7

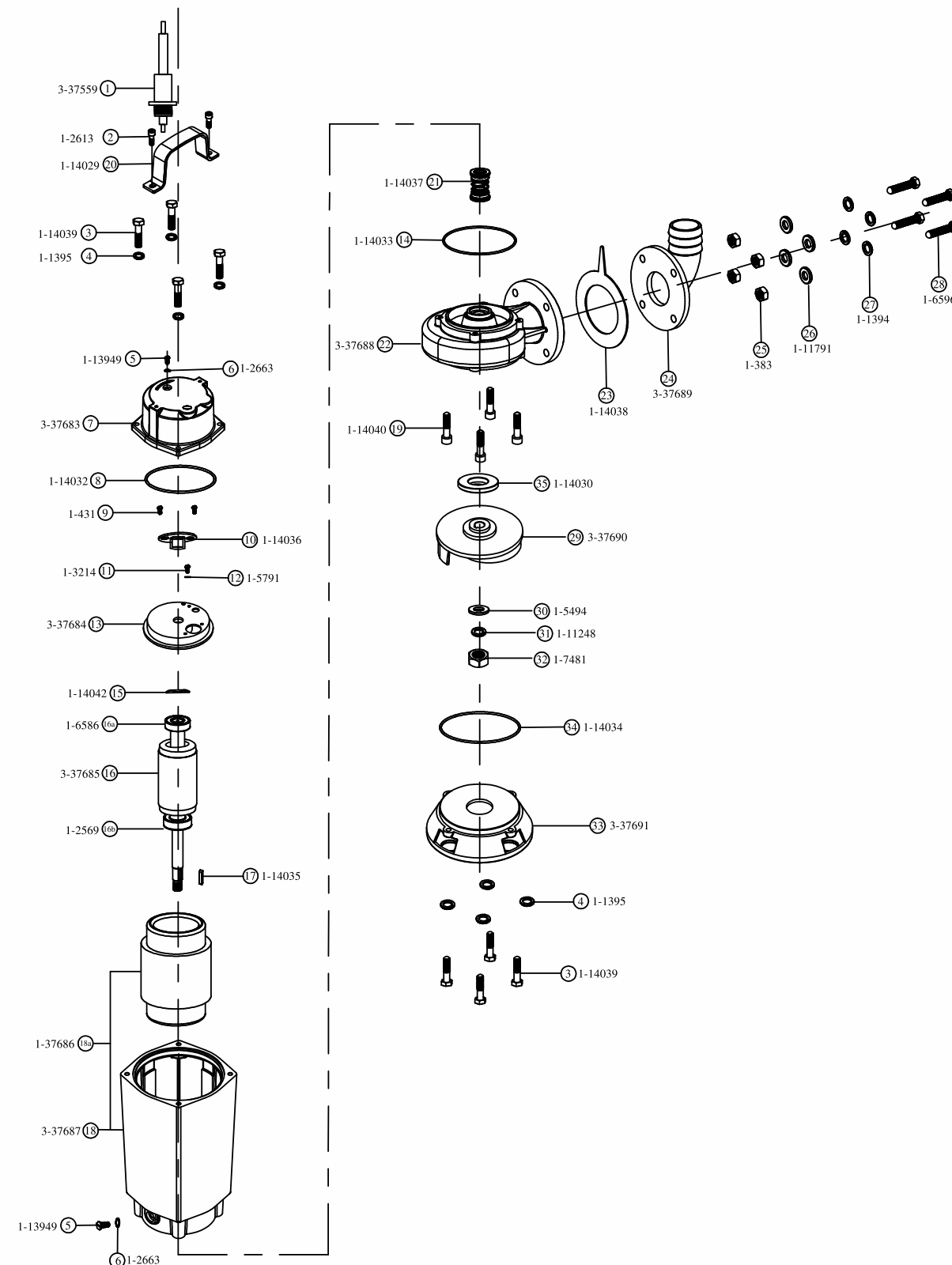
**OUTLINE DIAGRAM**



**DIMENSIONS & WEIGHT**

MODEL THREE PHASE	PORT DN	SOLID SIZE	DIMENSIONS (mm)							WEIGHT kg
			a	b	h	h1	d	PCD	Dia. Of Flange (c)	
SDW50-10-10-0.75KW-380V	50	20	200	175	420	70	14	110	140	19
SDW65-25-10-1.50KW-380V	65	25	255	200	495	110	14	130	160	26
SDW65-25-15-2.2KW-380V	65	25	245	200	540	110	14	130	160	31
SDW65-48-10-2.2KW-380V	65	25	245	260	540	110	14	130	160	31
SDW65-25-28-4.0KW-380V	65	25	330	260	680	165	14	130	160	61
SDW100-65-15-5.5KW-380V	100	30	305	260	680	145	18	170	210	68
SDW150-150-10-7.5KW-380V	150	45	460	350	860	200	18	225	265	163

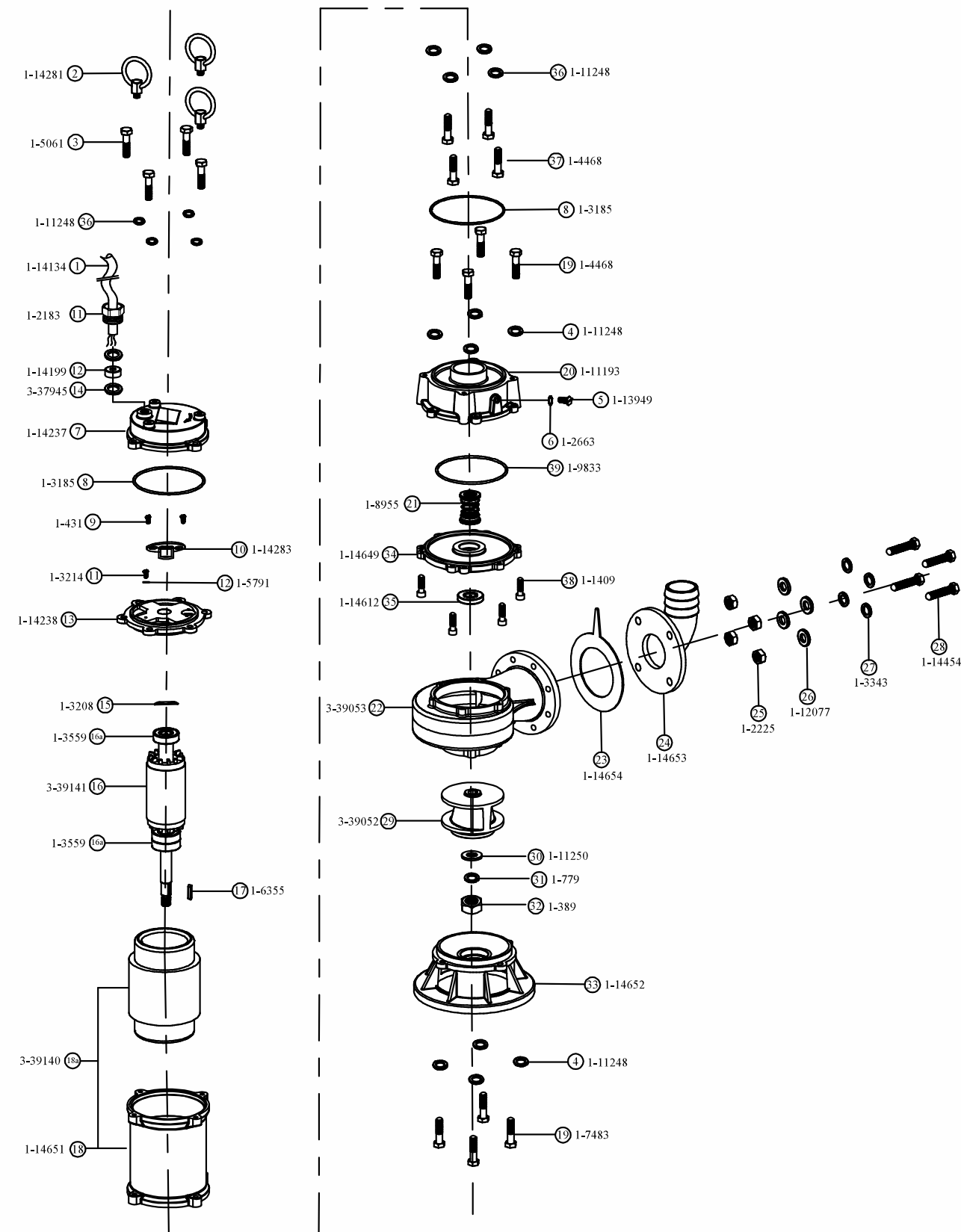
EXPLODED VIEW OF SDW 50-10-10-0.75



PART LIST of SDW 50-10-10-0.75

POS. No.	MAT CODE	PART DESCRIPTION	QTY.
01	3000037559	CABLE ASSLYSDW (1.5 MM2)	1
20	1000014029	HANDLE MS	1
02	1000002613	ALLEN BOLT M5 X 10 MM	2
03	1000014039	HEX BOLT M6X20MM (SS 304)	8
19	1000014040	ALLEN BOLT M6X15MM (SS 304)	4
09	1000000431	PAN HEAD SCREW M4 X 12 (SS 304)	3
06	1000002663	O-RING ID 7 X 3 MM THK	2
05	1000013949	PAN HEAD SCREW M8 X 8 MM	2
16b	1000002569	BALL BEARING 6203-ZZ	1
16a	1000006586	BALL BEARING 6202-ZZ	1
35	1000014030	OIL SEAL 35X17X5	1
8	1000014032	O RING ID108X3THK	1
14	1000014033	O RING ID80X2.5THK	1
34	1000014034	O RING ID120X2THK	1
17	1000014035	KEY 4X4X16	1
10	1000014036	AMPHENOL CONNECTOR	1
21	1000014037	MECHANICAL SEAL - SDW-50-10-10	1
23	1000014038	GASKET 50 MM	1
15	1000014042	CORRUGATED SPRING 71/80	1
7	3000037683	TOP CAP CI - SDW-50	1
13	3000037684	TOP CHOKE SDW 50	1
16a	3000037685	ROTOR SUB ASSLY. CL 100 - SDW-50	1
18a	3000037686	STATOR ASSLY - SDW-50 0.75 kw	1
22	3000037688	PUMP BODY CI - SDW-50	1
24	3000037689	OUTLET CI - SDW-50	1
29	3000037690	IMPELLER CI MC - SDW-50	1
33	3000037691	BASE CI- SDW-50	1
31	1000011248	SPRING WASHER M10	1
30	1000005494	PLAIN WASHER M10	1
32	1000007481	HEX NUT M10 (SS 304)	1
4	1000001395	SPRING WASHER M6	8
28	1000006596	HEX BOLT M12 X 50 MM	4
27	1000001394	SPRING WASHER M12	4
26	1000011791	PLAIN WASHER M12	4

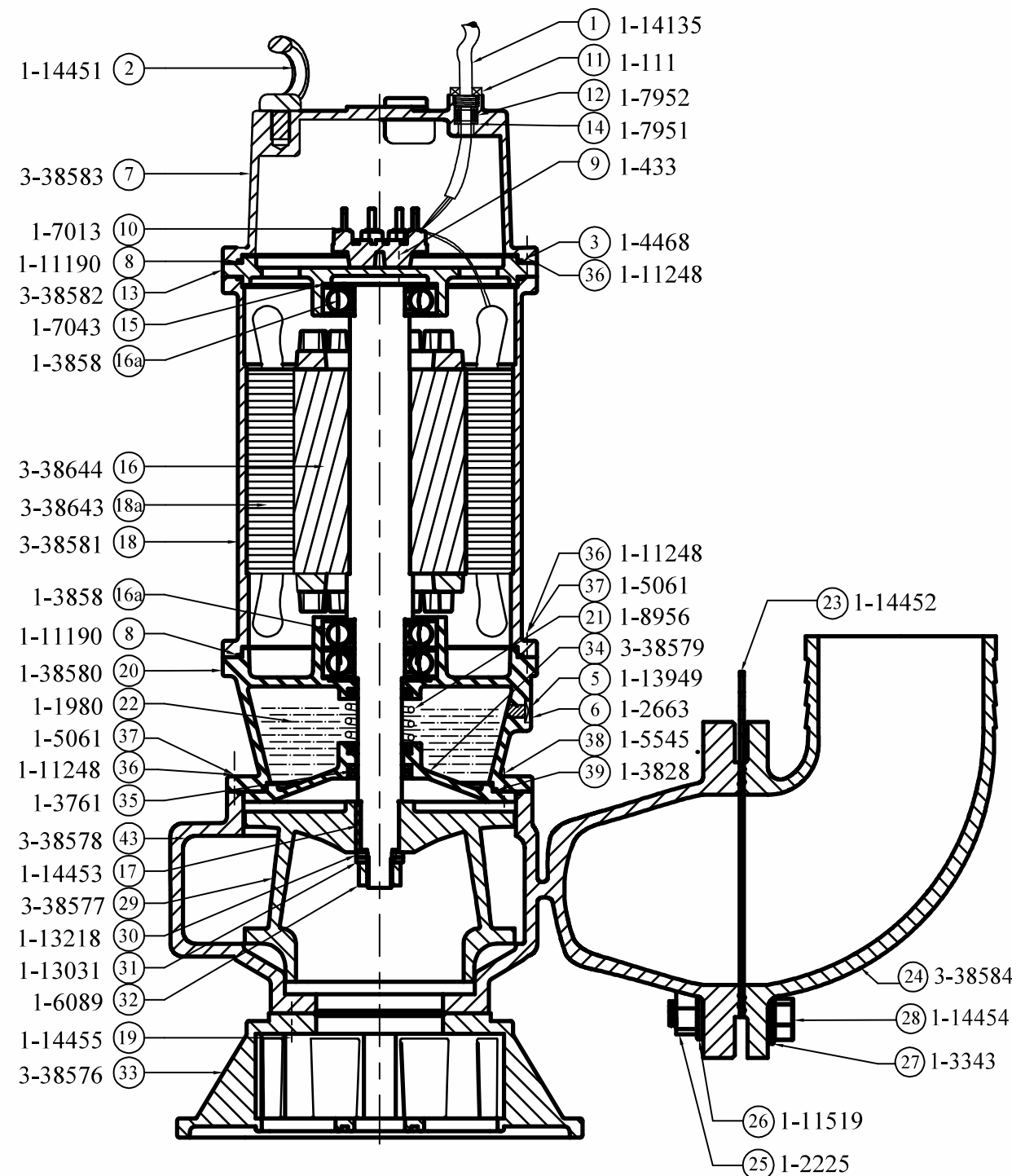
**EXPLODED VIEW SDW 1.5 TO 5.5**



**PART LIST OF SDW 1.5 TO 5.5**

POS NO.	MAT CODE	PART DESCRIPTION	QTY.
15	100003208	CORRU.SPRING SMG132 (FOR BRG.6206)	1
38	100001409	ALLEN BOLT M6X25 (SS-304)	4
19	100007483	HEX BOLT M10 X 25 (Ss304)	4
28	100014454	HEX BOLT M14X70 (Ss304)	4
16a	100003559	BALL BEARING 6305 ZZ C3	3
21	100008955	MECH.SEAL 208-25(SDW65,100-4, 5.5KW)	1
39	100009833	O RING ID-160XTH-3.00MM	1
20	100011193	OIL CHAMBER SDW100-65-15-5.5KW	1
35	100014612	OIL SEAL SINGLE LIP (25X46X7)	1
34	100014649	INTERMEDIATE PLATE SDW100-5.5KW M/C	1
33	100014652	BASE SDW100 -5.5KW M/C	1
24	100014653	DELIVERY PORT SDW100-5.5 KW M/C	1
23	100014654	GASKET SDW100-5.5KW	1
29	3000039052	IMPELLER SDW100- 5.5KW CI M/C	1
22	3000039053	PUMP HOUSING SDW100-5.5KW CI M/C	1
18a	3000039140	STATOR ASSLY (SMG132) SDW100-5.5KW	1
16	3000039141	ROTOR ASS (SMG132) SDW100-5.5KW CL161	1
32	1000000389	NUT M16 (Ss304)	1
9	1000000431	PAN HEAD SCREW M4X12(SS304)	2
31	1000000779	SPRING WASHER M16 (Ss304)	1
10	00001980 OI	L LIQUID PARAFFIN	1.75
11	1000002183	CONNECTOR LUGS PREMIUM-100/101	1
25	1000002225	NUT M14 HH (Ss304)	4
6	1000002663	O RING 6 X 3MM	1
8	1000003185	O RING ID-175XTH-3.5MM) SHOS-32/50	2
11	1000003214	PAN HEAD SCREW M4X6 (Ss304)	1
27	1000003343	SPRING WASHER M14XTH3MM (Ss304)	4
26	1000012077	PLAIN WASHER M14 (Ss304)	4
37	1000004468	HEX BOLT M10X45 (Ss304)	8
3	1000005061	HEX BOLT M10X30 (Ss304)	4
12	1000005791	LUGS COPPER ROUND 2.5SQMM (RING-TYPE)	1
17	1000006355	KEY FOR IMPELLER SHAHENS SHAH-40/160	1
36	1000011248	SPRING WASHER M10 (SS304)	16
30	1000011250	PLAIN WASHER M16 (Ss304)	1
5	1000013949	PAN HEAD SCREW M8X8 (SLOTTED) Ss304	1
1	1000014134	RUBBER CABLE (ROUND) 1.5 X 4CORE	10
12	1000014199	GROMET SDW (ID10.5XOD18MMXTH12MM)	1
7	1000014237	TOP CAP SDW65 -4.0KW CI M/C	1
13	1000014238	TOP CHOCK SDW65 -4.0KW CI M/C	1
20	1000014281	EYE BOLT M10x1.5P (RGID TYPE)	3
14	3000037945	GROMATE WASHER SDW-65	2

SECTIONAL VIEW OF SDW 150-150-10-7.5 KW



PART LIST OF SDW 150-150-10-7.5 KW

POS.NO	MAT CODE	PART DESCRIPTION	QTY.
16a	1000003858	BALL BEARING (6308-ZZ)	3
39	1000003828	O RING ID-178XTH-3.5MM	1
21	1000008956	MECH.SEAL 208-35(SDW150_7.5KW)	1
10	1000007013	TERMINAL BOARD	1
16	3000038644	ROTOR ASS.SMG132 (SDW150) CL161	1
18a	3000038643	STAT.ASS.SDW150 -7.5KW3Ø380V50HZ	1
19	1000014455	ALLEN BOLT M12X25 MM (SS304)	4
25	1000002225	NUT M14 HH (SS304)	8
32	1000006089	NUT M20 (SS304)	1
9	1000000433	PAN HEAD SCREW M5x25(SS304)	2
31	1000013031	SPRING WASHER M20 (SS304)	1
36	1000011248	SPRING WASHER M10 (SS304)	18
27	1000003343	SPRING WASHER M14(SS304)	8
38	1000005545	H H BOLT M8X20 MM (SS304)	4
22	1000001980	OIL LIQUID PARAFFIN	1.75 ltr.
6	1000002663	O RING 6 X 3MM	1
8	1000011190	O RING ID-212XTH-3.5MM) SHOS-32/50	4
15	1000007043	WAVE WASHER FOR BRG.6308	1
40	1000004201	PAN HEAD SCREW M5X10 (SS304)	1
3	1000004468	HEX BOLT M10X45 (SS304)	6
37	1000005061	HEX BOLT M10X30 (SS304)	12
41	1000005791	LUGS COPPER ROUND 2.5SQMM (RING-TYPE)	1
28	1000014454	HEX BOLT M14X70 (SS304)	8
35	1000014450	OIL SEAL DRY (35X50X7)	1
43	3000038578	PUMP BODY (SDW 65-25-28-4.0KW) M/C	1
20	3000038580	OIL CHAMBER (SDW 65-25-28-4.0KW) M/C	1
30	1000013218	PLAIN WASHER M20 (SS304)	1
26	1000011519	PLAIN WASHER M14 (SS304)	4
23	1000014452	GASKET (SDW150)	1
5	1000013949	PAN HEAD SCREW M8X8 (SLOTTED) SS304	1
1	1000014135	RUBBER CABLE (ROUND) 2.5 X 4CORE	10MTR.
12	1000007952	GROMET SSEG (ID10.5XOD18MMXTH12MM)	1
7	3000038583	TOP CAP SDW150 -7.5KW CI M/C	1
13	3000038582	TOP CHOCK SDW150 -7.5KW CI M/C	1
29	3000038577	IMPELLER SDW150-7.5KW CI M/C	1
33	3000038576	BASE SDW150 -7.5KW CI M/C	1
34	3000038579	INTERMEDIATE PLATE SDW150-7.5KW M/C	1
2	1000014451	EYE BOLT M12x1.5P (RGID TYPE)	2
17	1000014453	KEY SDW-65-25-28(8X7X36)	1
24	3000038584	OUTLET SDW150 CI M/C	1
14	1000007951	GROMATE WASHER SSEG	2
11	1000000111	CONNECTOR RING SML150	1

## WASTE WATER PUMPS SSEG SERIES

### INTRODUCTION

The pump in SSEG series are constructed with CI FG 260 for pump housing and stator housing, the unique clamp system made up of AISI SS 304 enable to quick and easy dismantling of pump and motor unit. With the help of unique clamp system, enable to rotate 180 degree of motor housing, the SSEG pump are suitable for pumping domestic sewage and other liquid with a PH value of 4 to 10 in permanent installation.

### MOTOR

Protection rating Ip68  
Insulation class F  
Single phase and three phase with fully insulated cable connection chamber

### APPLICATION DATA

- Maximum temp. of pumping liquid = 40°
- Maximum temp. for short period (1hr), up to 60 degree is permissible
- Maximum submersion = 20m.
- Voltage tolerance = -10 to +6 %

### APPLICATION

- SSEG pump are used in sparsely populated area where gravity sewage system are not available.
- For example :- small village and farm area with large difference In ground level.

### TABLE OF MATERIAL

Sn. No.	Component	Material
1	Pump Housing	CI FG 260
2	Grinder Head	Hardened Stainless Steel
3	Impeller	CI FG 260
4	STRIP ASS.	AISI SS 304
5	Oil Chamber	CI FG 260
6	Washer	AISI SS 304
7	Grommet	NBR
8	Cable	-
9	Rotor Shaft	AISI SS 304
10	Stator Housing	CI FG 260
11	Bearing	-
12	Lifting Bracket	AISI SS 304
13	Hexagonal Socket Head Cup Screw	AISI SS 304
14	Bearing	-
15	Oil Cup Screw	AISI SS 304
16	Double Mechanical Cartridge Shaft Seal	SIC/SIC, Carbon/Ceramic
17	Grinding Ring Hardened	Stainless Steel

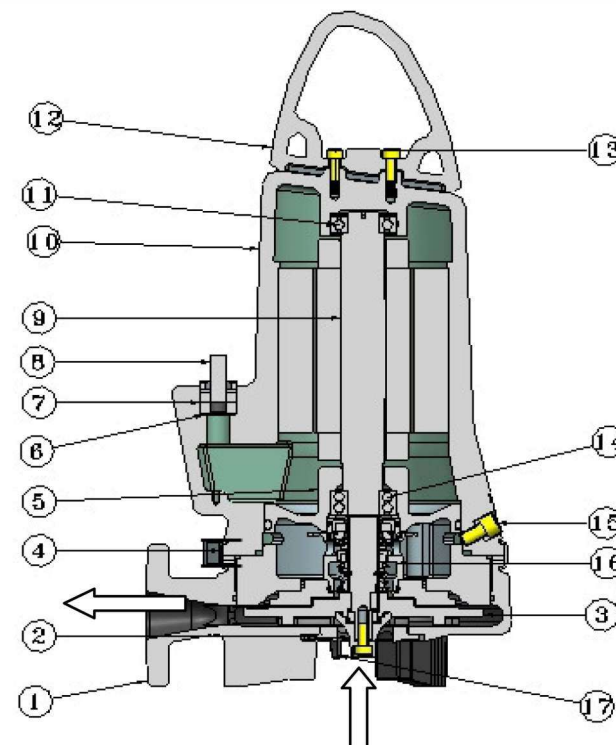
### PERFORMANCE RANGE

- Flow rate up to 291 l/min
- Head up to 45 m

### TYPE KEY

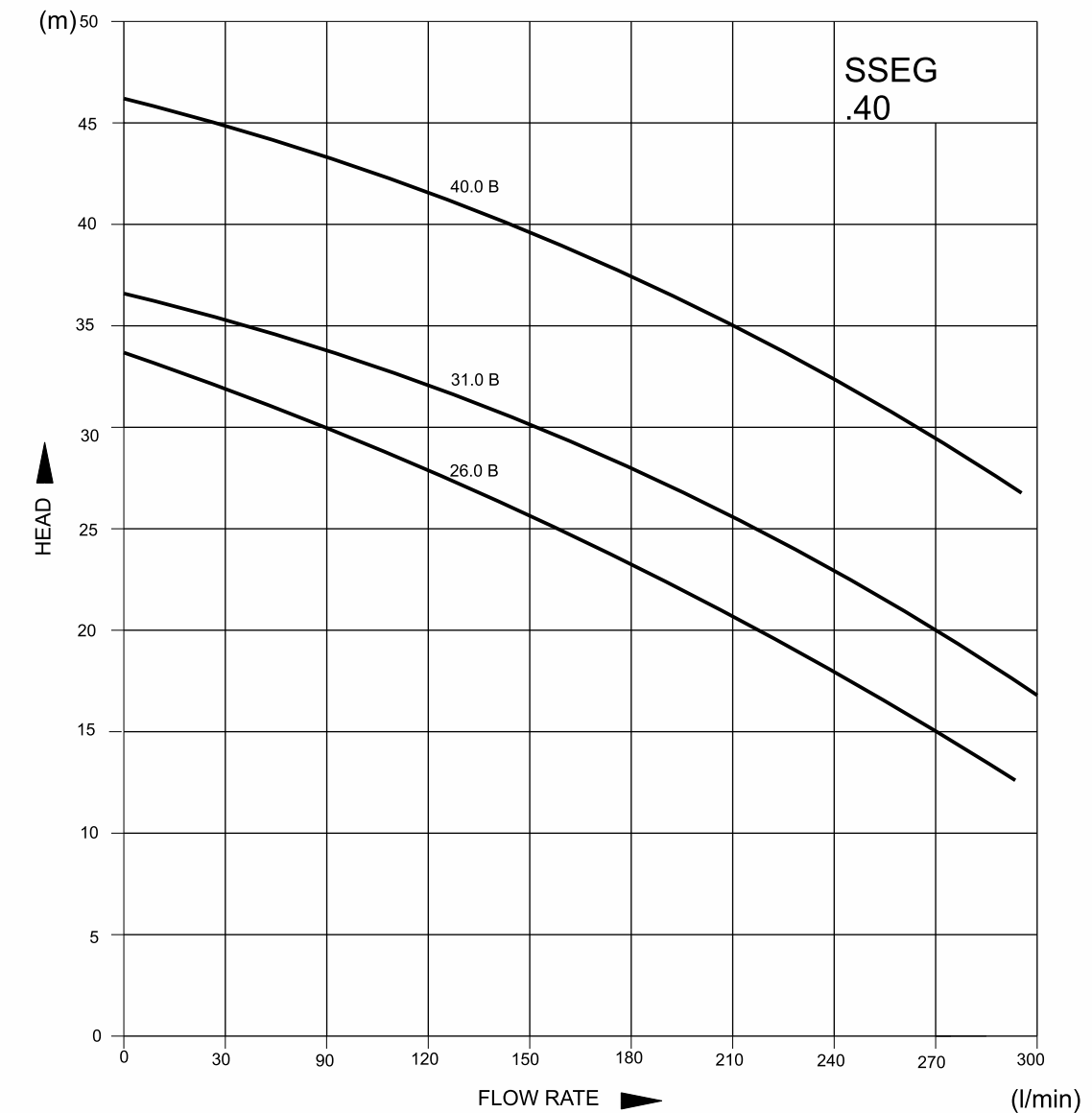
S SEG.40.26.02/0B

- 3 PHASE
- 1 PHASE
- POWER OUTPUT 2.5(KW)
- NOMINAL DISCHARGE PORT(MM)
- GRINDER AT INLET OF PUMP
- SEWAGE PUMP



## WASTE WATER PUMPS SSEG SERIES

### HYDRAULIC PERFORMANCE

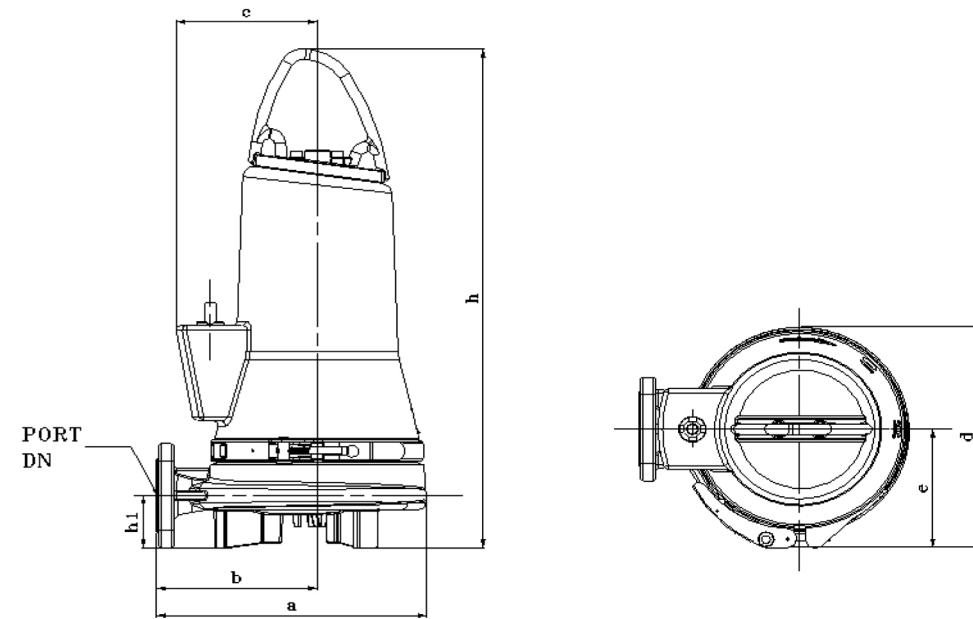


### PERFORMANCE DATA

MODEL	POWER		Q	Head (m)											
	kW	HP		0	1.8	5.4	7.2	9	10.8	12.6	14.4	16.2			
SSEG.40.26.0B	2.6	3.5	Head (m)	0	30	90	120	150	180	210	240	270			
SSEG.40.31.0B	3.1	4		33.7	32.0	30.1	28.1	25.6	23.2	20.8	18.1	15.1			
SSEG.40.40.0B	4.0	5.5		36.4	35.3	33.8	32.3	29.9	28.2	25.6	23.1	20.1			

**WASTE WATER PUMPS  
SSEG SERIES**

**SECTIONAL VIEW OF SSEG  
OUTLINE DIAGRAM**

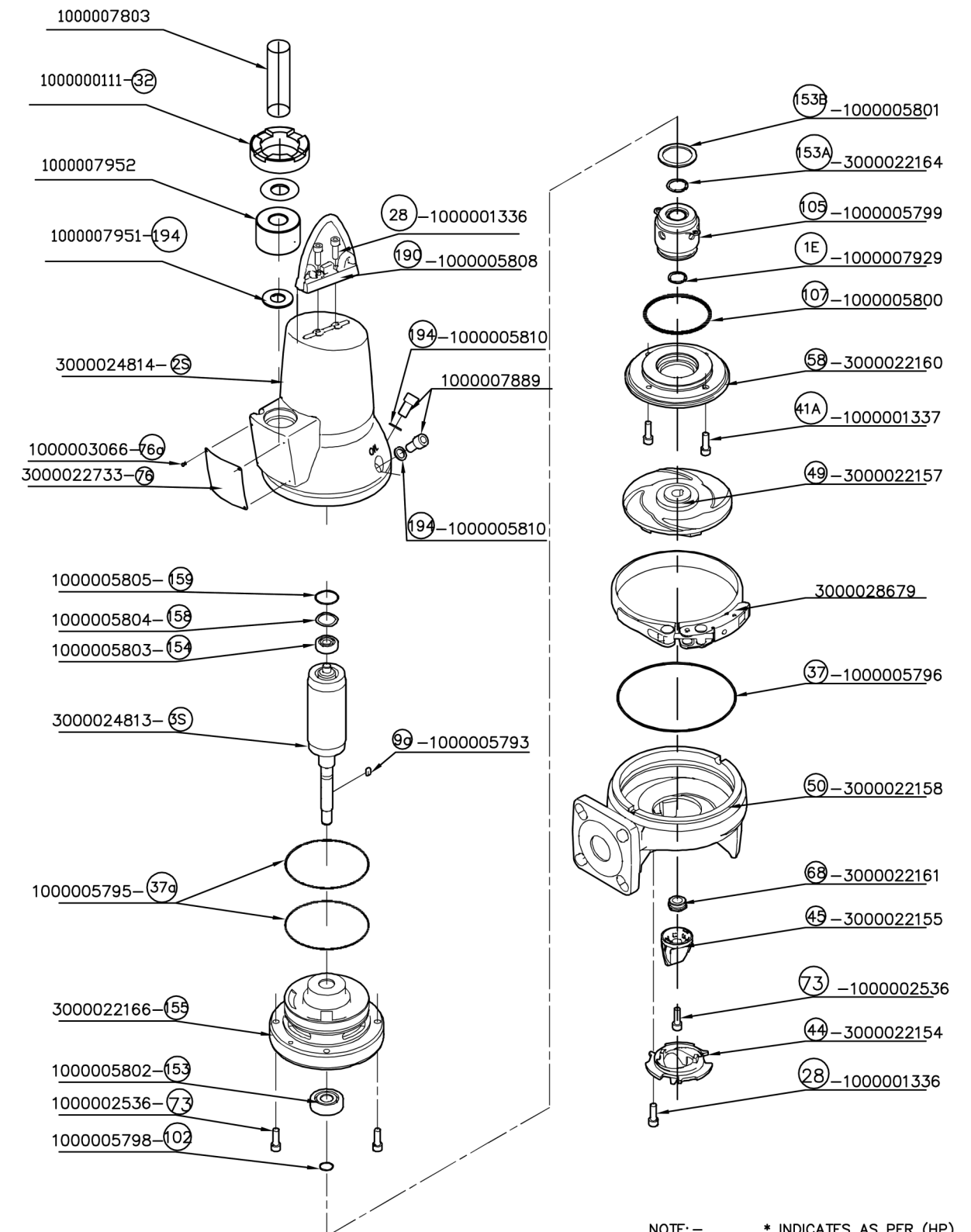


**Dimensions & Weight**

MATERIAL CODE	MODEL	DIMENSIONS (mm)							PORT DN (mm)	W.T. (kg)
		h	h1	a	b	c	d	e		
9000023070	SSEG .40.26.0B	527	60	292	173	143	256	119	40	57
9000017228	SSEG .40.31.0B	527	60	292	173	144	256	119	40	65
9000023071	SSEG .40.40.0B	527	60	292	173	144	256	119	40	65
9000025629	SSEG .40.15.0B	527	60	292	173	144	256	119	40	65

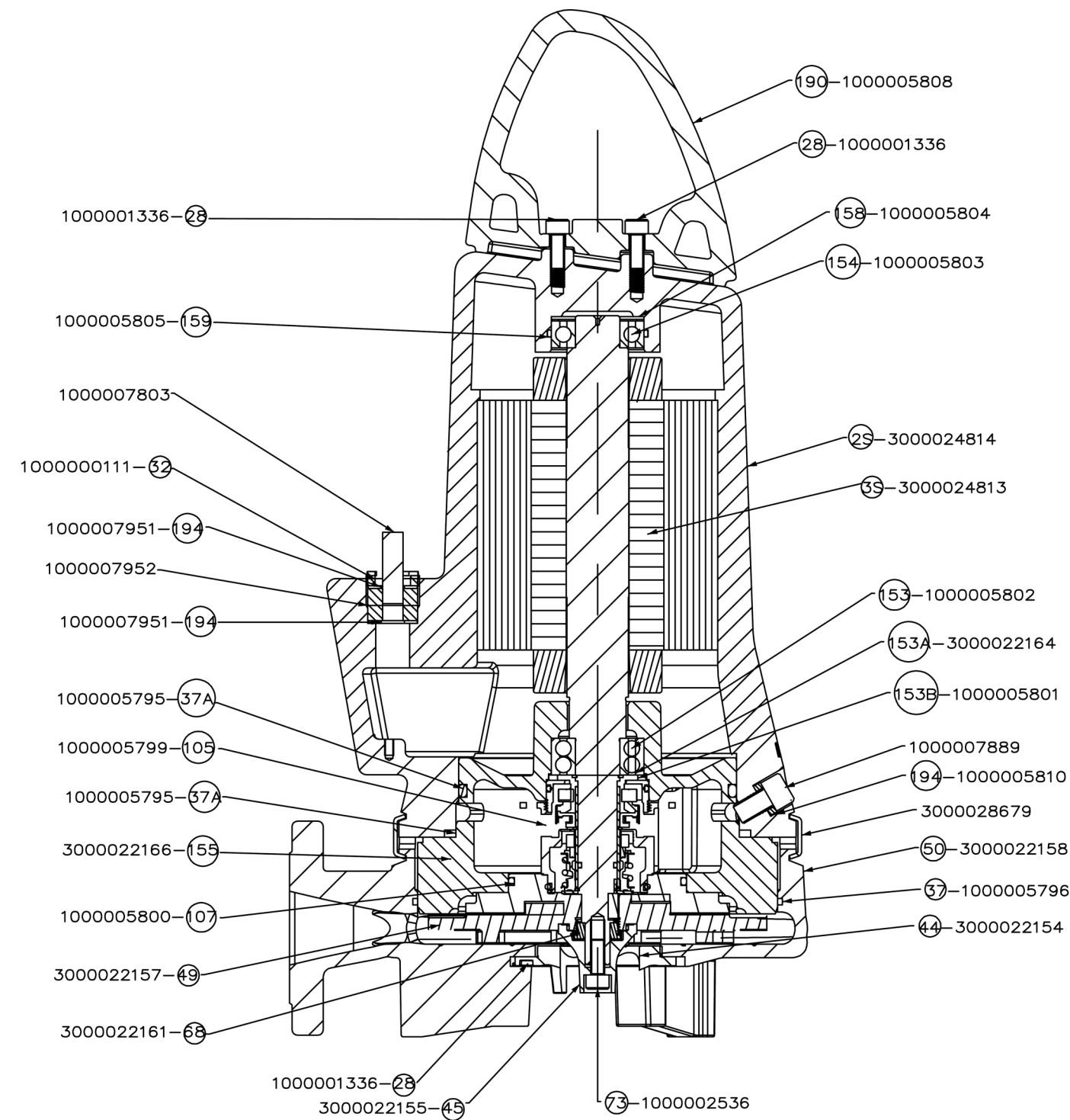
**WASTE WATER PUMPS  
SSEG SERIES**

**Part List Of SSEG  
EXPLODED VIEW OF SSEG**



NOTE: - \* INDICATES AS PER (HP)  
\*\* AS PER REQUIREMENT

SECTIONAL VIEW OF SSEG



NOTE: - \* INDICATES AS PER (HP)  
          \*\* AS PER REQUIREMENT

Part List Of SSEG

GROUP	POS	MATERIAL	PART DESCRIPTION	QTY	MATERIAL
	44	3000022154	GRINDER RING MC	1	HARDENED STAINLESS STEEL
	45	3000022155	GRINDER HEAD MC	1	HARDENED STAINLESS STEEL
	68	3000022161	ADJUSTMENT NUT	1	AISI SS 304
	50	3000022158	PUMP HOUSING MC	1	CI FG 260
	76	3000022733	NAME PLATE	1	AISI SS 304
		3000028679	STRIP ASS.	1	AISI SS 304
	49	3000022157	IMPELLER MC	1	CI FG 260
	58	3000022160	RETAINER FOR SEAL RING MC	1	CI FG 260
	105	1000005799	MECH. SEAL	1	SIC/SIC, Carbon/ Ceramic
	153A	3000022164	SPACER RING DIA 42X54X2.5 THK.	1	AISI SS 304
	155	3000022166	OIL CHAMBER MC	1	CI FG 260
3S		3000024813	ROTOR SUB ASSLY SSEG.40	1	-
2S		3000024814	STATOR ASS.	1	-
	28	1000001336	ALLEN BOLT M8X25	3	AISI SS 304
	190	1000005808	LIFTING BRACKET	1	AISI SS 304
		1000007889	ALLEN BOLT M12X16MM	2	AISI SS 304
		1000007803	PVC CABLE 2.5 SQMMX	6	CORE 10M NA
	32	1000000111	CONNECTOR RING SML 150	1	-
	194	1000007951	WASHER ID-13XOD27.5XTH1.5MM	2	AISI SS 304
	9a	1000005793	KEY 6X6X14	1	AISI SS 304
		1000007952	GROMET SSEG ID11.5XOD28MMXTH18MM	1	NBR
	37	1000005796	O-RING ID 204 X THICKNESS 3.0	1	NBR
	41A	1000001337	ALLEN BOLT M8X20	2	AISI SS 304
	107	1000005800	O-RING ID 90 X THK 4.0	1	NBR
5S	153B	1000005801	O-RING ID 17.3 X THICKNESS 2.4	1	NBR
	76A	1000003066	RIVET FOR PUMP SS 304	4	AISI SS 304
	194	1000005810	SEAL WASHER INTERNAL - OD 19 X ID 12.2 X 4.4 THK.	2	AISI SS 304
	159	1000005805	O-RING ID 52 X TH- 3.0MM	1	NBR
	158	1000005804	WAVE WASHER ID42 x OD51 x 0.5 THK.	1	SPRING STEEL
	154	1000005803	BALL BEARING 6205.2Z.C4.SYN	1	-
	37A	1000005795	O-RING ID 144.3 X THICKNESS 5.7	2	NBR
	73	1000002536	ALLEN BOLT M8X30	7	AISI SS 304
	153	1000005802	BALL BEARING 3205.2ZR	1	-
	1E	1000007929	CIRCLIP LIGHT A22	1	AISI SS 304
	1E	1000007928	CIRCLIP LIGHT A25	1	AISI SS 304